

M108-150-TRM SERIES LOW LOSS VHF COMBINER

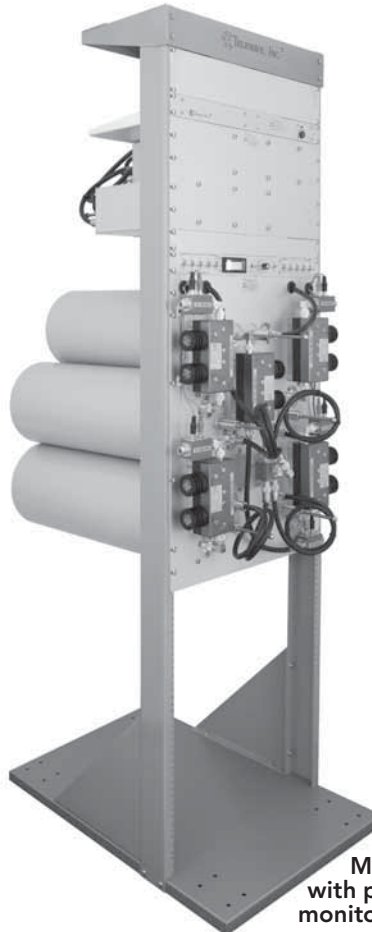
The M108-150-TRM series uses up to ten 8", high "Q" low-loss cavities mounted on a standard 19" x 72" rack. These combiners are available in a vertical or horizontal configuration, depending on site requirements.

Up to 8 cavities can be mounted vertically in two groups, or up to 10 cavities can be mounted horizontally on two 5-channel panels. The vertical configuration is useful for installation in limited space or direct wall mounting. Each cavity also contains internal support for the tuner assembly specifically to enable horizontal mounting.

Optional power monitoring for each channel is available, as well as remote keying for each transmitter. The PM10C2S-1C wattmeter panel uses only 1.75" of rack space.

An optional receiver system can be built around the Telewave compact preselector series, or full-size cavities as needed. Depending on the application, the TPCP-1544C or TPCP-1556 preselector may be mounted in the upper portion of a 72" or 84" rack, along with a 1RU receiver panel for up to 16 channels.

With new narrowband channel assignments, proper filtering is even more critical. The M108-150-TRM series allows operators of high-density VHF systems to take advantage of new technology, and enhance the performance of existing systems.



M108-150-5TRM
with preselector, power
monitoring, and RX panel



M108-150-8TRM
vertical mounting

SPECIFICATIONS

Frequency range	148-174 MHz
Channels	1-10 channels into 1 or 2 antennas
Channel separation (min)	125 KHz
Input power (std. / opt.)	100 / 150 watts per channel
Impedance / Input VSWR (typ.)	50 ohms / 1.25:1
Insertion loss per ch. (typ.)	3.25 dB - 5 ch. at 250 KHz spacing 4.0 dB - 5 ch. at 150 KHz spacing
TX-to-TX isolation (typ.)	75 dB
Antenna to TX isolation (typ.)	70 dB
2nd harmonic suppression (typ.)	90 dB
Cavity size	8" diameter / 1/4 wave
Operating temperature	-30°C to +60°C
Mounting / Connectors	19" rack mount / N Female
Panel dimensions (HWD) in. / cm	24.5 x 19 x 26 / 62 x 48.3 x 66
Weight lb. (kg)	150 (68.1) 5 ch.