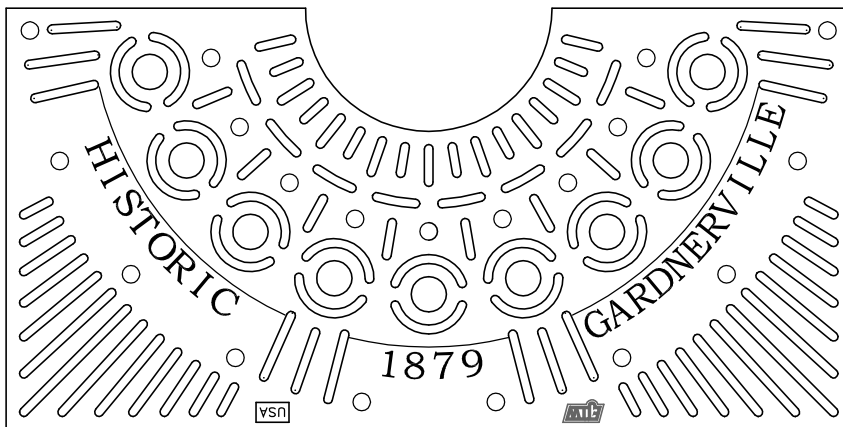


**NOTES:**



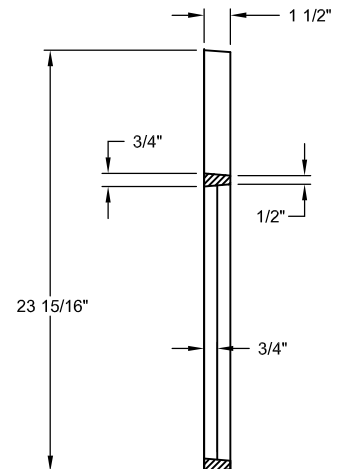
TOWN OF GARDNERVILLE ADA TREE GRATE SHALL BE EAST JORDAN IRON WORKS, PRODUCT NUMBER 00858030. NON TRAFFIC RATED, DIPPED COATING, GRAY IRON ASTM A48 CL35B

ADA TREE GRATES SHALL BE PROVIDED FOR ALL TREE LOCATED WITHIN THE PUBLIC RIGHT OF WAY, ADJACENT TO PARKS AND COMMERCIAL USES, WITHIN THE MAIN STREET GARDNERVILLE DOWNTOWN DISTRICT.



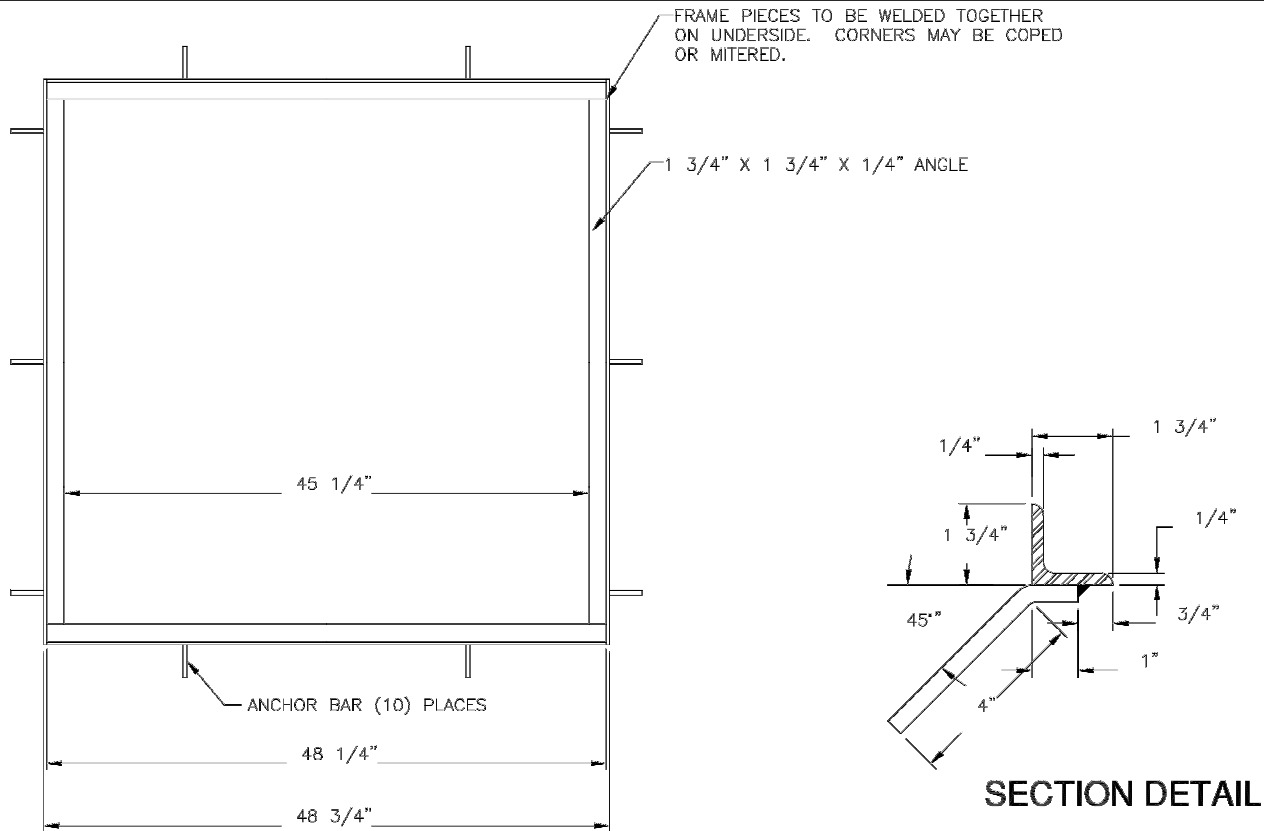
1 1/2" BOOKMAN OLDSTYLE FONT

**GRATE TOP VIEW**



**GRATE SECTION**

NO.	REVISION	DATE	STANDARD DETAIL FOR PUBLIC WORKS CONSTRUCTION	SECTION
			<b>GARDNERVILLE TREE GRATE DETAIL</b>	TOWN OF GARDNERVILLE
				DATE: 7/25/2013
				DWG: TOG-01

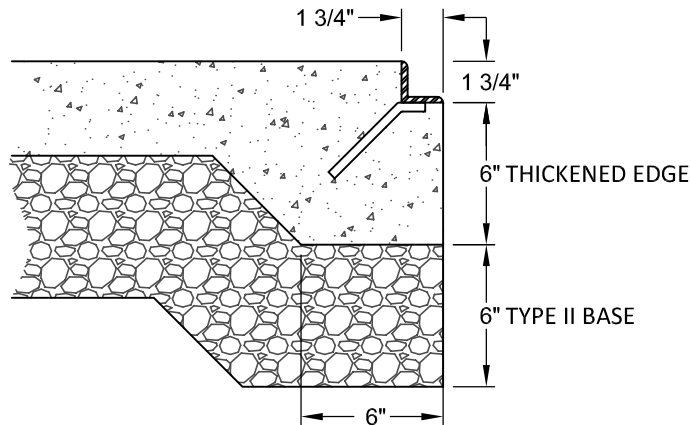


NOTES:

TOWN OF GARDNERVILLE ADA TREE GRATE FRAME SHALL BE EAST JORDAN IRON WORKS, PRODUCT NUMBER 48954011. NON TRAFFIC RATED, FLAT BLACK RUSTOLEUM COATED, GRAY IRON ASTM A36

ADA TREE GRATES SHALL BE PROVIDED FOR ALL TREE LOCATED WITHIN THE PUBLIC RIGHT OF WAY, ADJACENT TO PARKS AND COMMERCIAL USES, WITHIN THE MAIN STREET GARDNERVILLE DOWNTOWN DISTRICT.

**EJIW EAST JORDAN**  
 IRON WORKS EST. 1883  
 800-626-4653  
 www.ejiw.com  
 MADE IN USA



EMBEDMENT DETAIL

NO.	REVISION	DATE	STANDARD DETAIL FOR PUBLIC WORKS CONSTRUCTION	SECTION
			<b>GARDNERVILLE TREE GRATE FRAME DETAIL</b>	TOWN OF GARDNERVILLE
				DATE: 7/25/2013
				DWG: TOG-01A