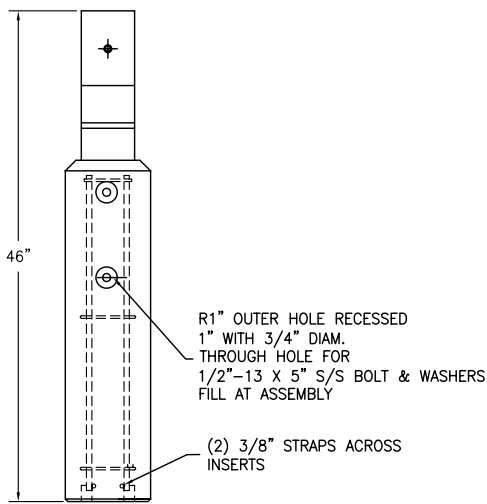
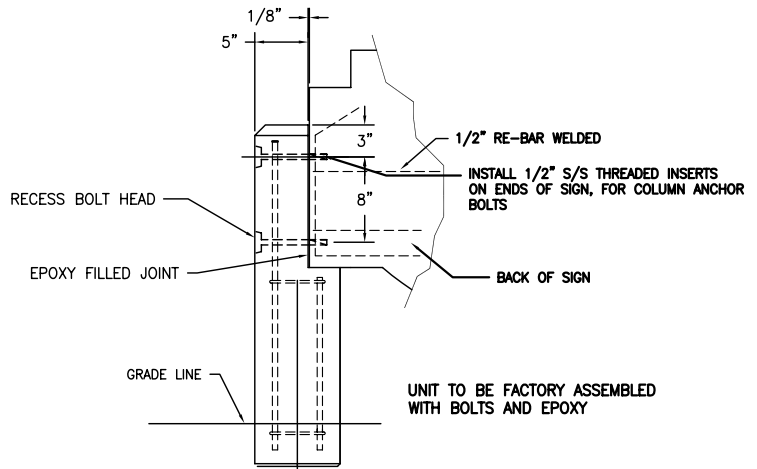


FRONT VIEW SIGN

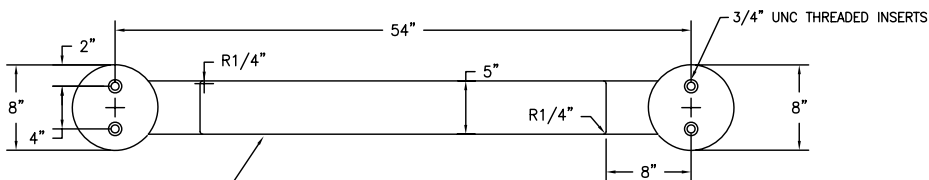


SIDE VIEW SIGN



UNIT TO BE FACTORY ASSEMBLED WITH BOLTS AND EPOXY

DETAIL BACK OF SIGN (TYP.)



SIGN BACK

BOTTOM VIEW SIGN

PARK MONUMENT SIGN  
**MADE IN U.S.A.**  
 TERRA-FORM DIVISION  
 WAUSAU, WI 54402  
 MODEL TF 8002  
 COLOR: SAND



STANDARD DETAIL FOR PUBLIC WORKS CONSTRUCTION

PARK SIGN

SECTION TOWN OF GARDNERVILLE

RELEASE DATE: 2/1/09

DWG: TOG-06A