



**VICTOR STANLEY, INC.**

*-Manufacturers of Quality Site Furnishings since 1962-*

©2004 VICTOR STANLEY, INC. ALL RIGHTS RESERVED

CLASSIC SERIES **C-10**

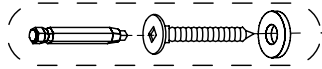
Standard 4 Foot Length With Recycled  
Second Site Systems® Slats

P.O. DRAWER 330 - DUNKIRK, MD 20754 USA  
TOLL FREE: (800) 368-2573 (USA & CANADA)  
TEL (301) 855-8300 - FAX (410) 257-7579  
WEB SITE: HTTP://WWW.VICTORSTANLEY.COM

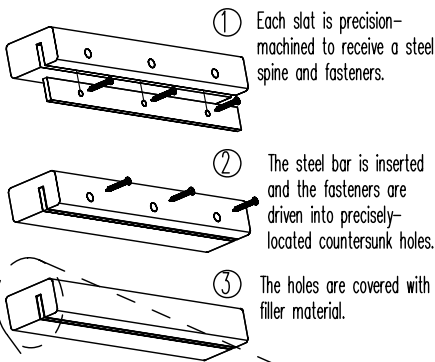
ALL FABRICATED COMPONENTS ARE STEEL  
SHOT-BLASTED, ETCHED, PHOSPHATIZED AND  
ELECTROSTATICALLY POWDER-COATED WITH  
TGIC POLYESTER POWDER COATINGS.  
COLOR: VS BLACK

3/8" x 3"  
center brace for  
additional support

**SCREW - DETAIL**



1-1/2" LONG X 1/4" O.D. VANDAL RESISTANT  
LAG SCREWS FASTEN RECYCLED SLATS TO  
STEEL SUPPORTS FROM BENEATH

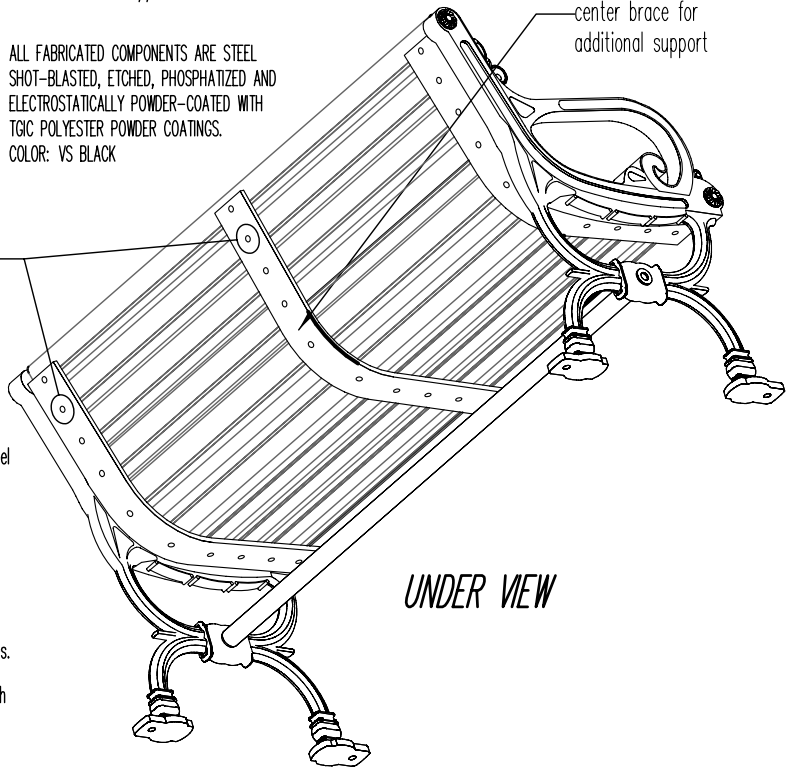
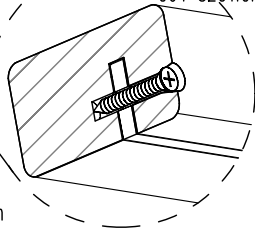


SECOND SITE  
SYSTEMS™  
DETAIL

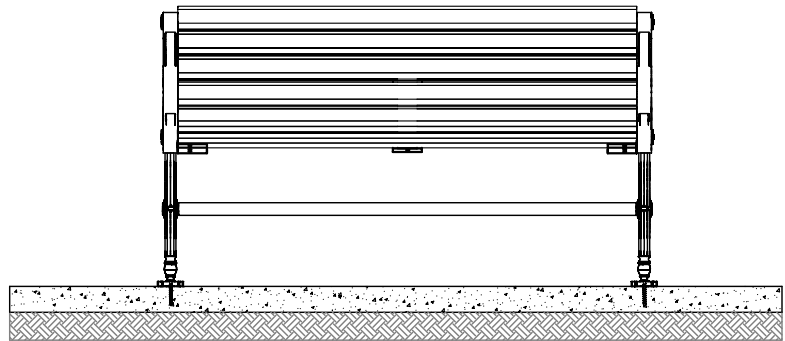
U.S. Patent Pending

④ Slats are installed  
in the same configuration  
as wood slats.

RECYCLED  
CUT SECTION



**UNDER VIEW**



**FRONT VIEW**

**NOTES:**

1. BENCH SHALL BE INSTALLED ON A CONCRETE SLAB ( 5' WIDE x 8' LONG x 4" THICK - 4000 PSI CONCRETE ON 4" TYPE II AGGREGATE BASE)
2. BENCH TO BE INSTALLED USING, (4) SIMPSON TITEN HD (1/2"x4" MINIMUM, AND INSTALLED IN ACCORDANCE WITH MANUFACTURES RECOMMENDATIONS.
3. IF BENCH IS INSTALLED ALONG SIDEWALK, THEN BENCH SHALL BE INSTALLED TO LEAVE 5' CLEAR WIDTH MINIMUM CLEAR WALKING SURFACE.
4. A TRASH RECEPTACLE SHALL BE INSTALLED IN THE IMMEDIATE VICINITY OF THE TRASH RECEPTACLE.

**PARK BENCH WITH RECYCLED SLATS  
VICTOR STANLEY CLASSIC SERIES C-10 VS BLACK**



STANDARD DETAIL FOR PUBLIC WORKS CONSTRUCTION

**TOWN  
BENCH**

SECTION TOWN OF  
GARDNERVILLE

RELEASE DATE:  
2/1/09

DWG:  
TOG-06B