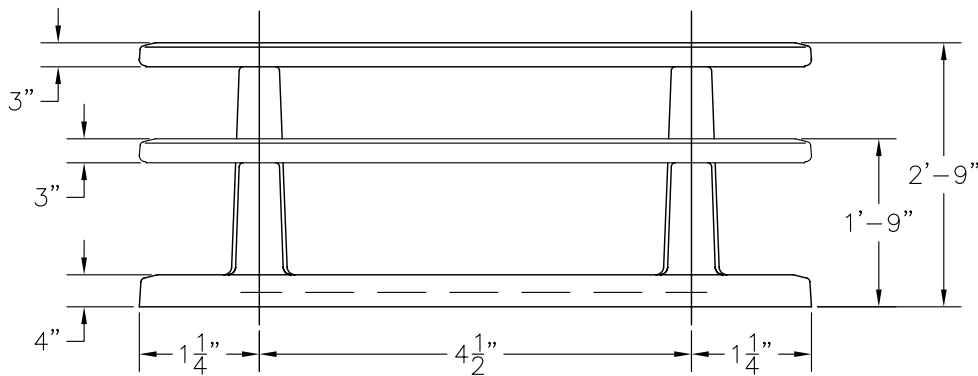
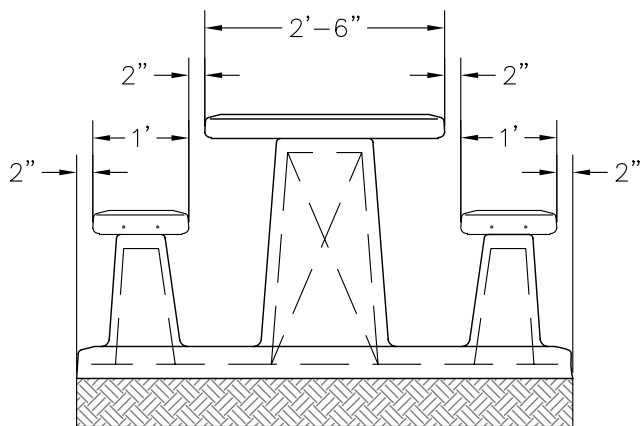


TOP VIEW



SIDE VIEW



END VIEW

NOTES:

1. PRE-CAST CONCRETE PICNIC TABLE SHALL BE INSTALLED ON 4" TYPE II AGGREGATE BASE COMPACTED TO 95% RELATIVE DENSITY.
2. PROVIDE A MINIMUM OF SIX (6) WAUSAU TILE MODEL TF 3215 PICNIC TABLES PER ACRE.
3. A TRASH RECEPTACLE SHALL BE INSTALLED IN THE IMMEDIATE VICINITY OF EACH TABLE.

PARK PICNIC TABLES
WAUSAU TILE

TERRA-FORM DIVISION
 WAUSAU, WI 54402

MODEL TF 3215

COLOR: GROUND SAND



STANDARD DETAIL FOR PUBLIC WORKS CONSTRUCTION

TOWN PARK
 PICNIC TABLE

SECTION TOWN OF
 GARDNERVILLE

RELEASE DATE:
 2/1/09

DWG:
 TOG-06DE